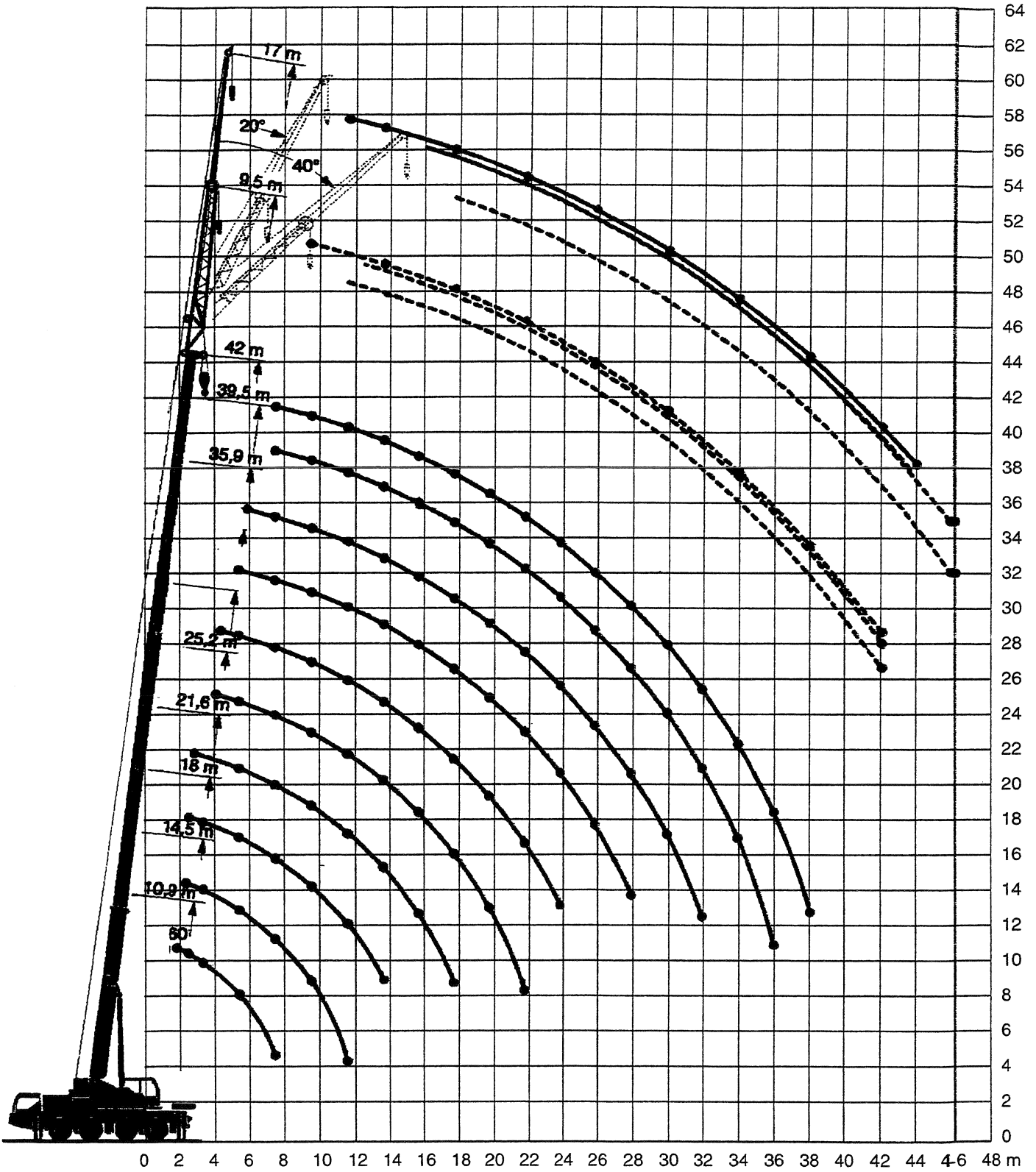
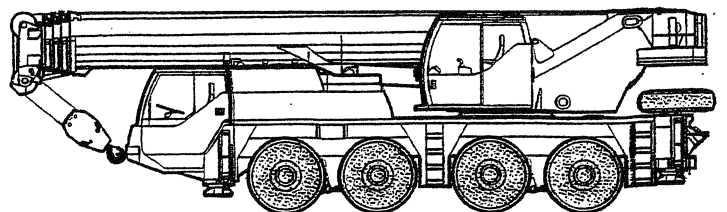


**VERTICAAL TRANSPORT
NEDERLAND B.V.**

*Weg-terrein kraan
70 ton*



**VERTICAAL TRANSPORT
NEDERLAND B.V.**

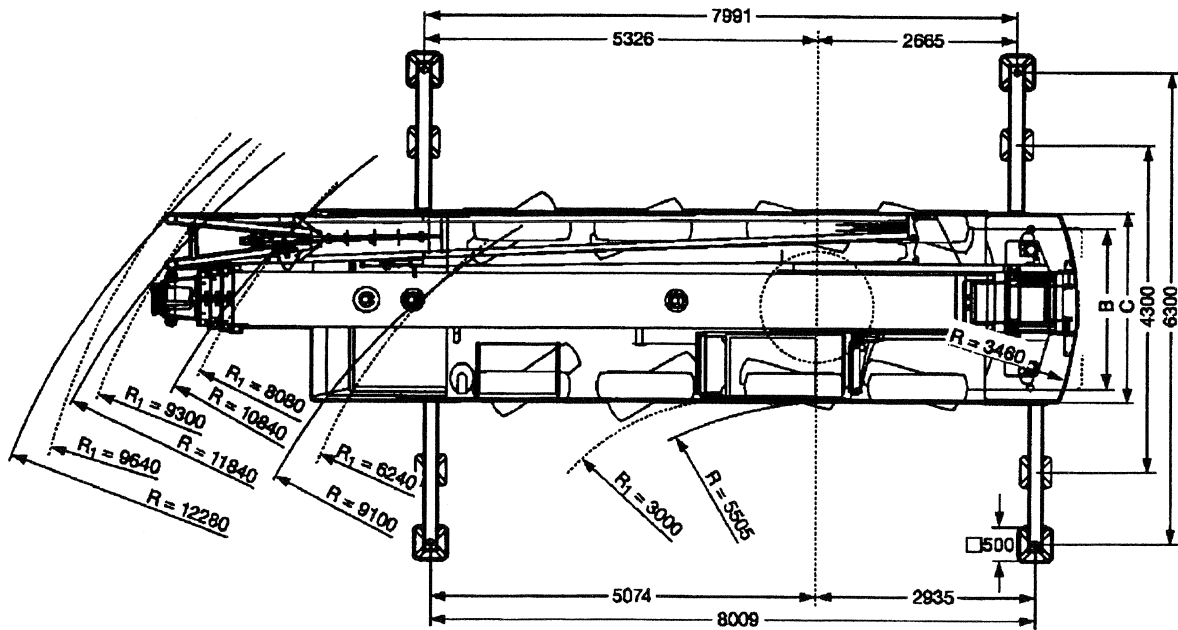
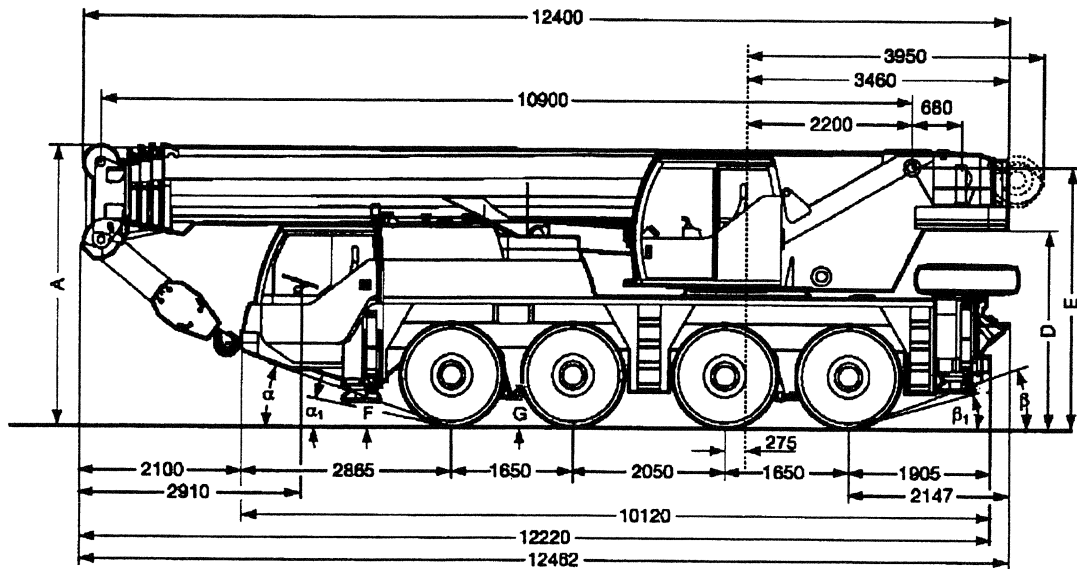


HIJSTABEL LIEBHERR - 70 TON

Kraan afgestempeld, Stempelbasis 8.0 x 6.3m
360° Werkbereik, 12 ton contra-gewicht

| Vlucht radius meters | Gieklengte in meters | | | | | | | | | | | | | | Klapjib 9.5 m | | | Klapjib 17 m | | | Vlucht Radius Meters |
|----------------------------|----------------------|------|------|------|------|------|------|------|------|-----|----|-----|-----|----|---------------|-----|--|--------------|--|-----|----------------------------|
| | 10.9 | 14.5 | 18.0 | 21.6 | 25.2 | 28.8 | 32.4 | 35.9 | 39.5 | 42 | 42 | | 42 | | 42 | | | | | | |
| | 70 | 51 | 45 | | | | | | | | 0° | 20° | 40° | 0° | 20° | 40° | | | | | |
| 2.5 | | | | | | | | | | | | | | | | | | | | | |
| 3 | 51 | 46 | 41.7 | 37.2 | | | | | | | | | | | | | | | | 3 | |
| 3.5 | 46.5 | 42 | 38.7 | 34.7 | | | | | | | | | | | | | | | | 3.5 | |
| 4 | 42.5 | 38 | 36.2 | 32.7 | 27.5 | | | | | | | | | | | | | | | 4 | |
| 4.5 | 38.5 | 35 | 33.7 | 30.7 | 27.8 | 24.7 | | | | | | | | | | | | | | 4.5 | |
| 5 | 35.5 | 29.2 | 28.9 | 26.9 | 24.8 | 22.2 | 19.5 | | | | | | | | | | | | | 5 | |
| 6 | 29.6 | 25.1 | 24.6 | 23.9 | 22.2 | 20 | 18 | 15.1 | | | | | | | | | | | | 6 | |
| 7 | 25.1 | 21.2 | 21.3 | 20.7 | 19.5 | 18.2 | 16.7 | 14.1 | 11.6 | 9.9 | | | | | | | | | | 7 | |
| 8 | 21.2 | 18.2 | 18.3 | 16.8 | 16.7 | 15.9 | 15.3 | 13.2 | 10.9 | 9.3 | | | | | | | | | | 8 | |
| 9 | | 15.5 | 15.6 | 14.1 | 14.3 | 13.7 | 13.6 | 12.4 | 10.3 | 8.9 | | | | | | | | | | 9 | |
| 10 | | 11.7 | 11.8 | 11.1 | 11.6 | 10.6 | 10.6 | 10.6 | 9.2 | 8 | | | | | | | | | | 10 | |
| 12 | | | | | | | | | | | | | | | | | | | | 12 | |
| 14 | | | | | | | | | | | | | | | | | | | | 14 | |
| 16 | | | | | | | | | | | | | | | | | | | | 16 | |
| 18 | | | | | | | | | | | | | | | | | | | | 18 | |
| 20 | | | | | | | | | | | | | | | | | | | | 20 | |
| 22 | | | | | | | | | | | | | | | | | | | | 22 | |
| 24 | | | | | | | | | | | | | | | | | | | | 24 | |
| 26 | | | | | | | | | | | | | | | | | | | | 26 | |
| 28 | | | | | | | | | | | | | | | | | | | | 28 | |
| 30 | | | | | | | | | | | | | | | | | | | | 30 | |
| 32 | | | | | | | | | | | | | | | | | | | | 32 | |
| 34 | | | | | | | | | | | | | | | | | | | | 34 | |
| 36 | | | | | | | | | | | | | | | | | | | | 36 | |
| 38 | | | | | | | | | | | | | | | | | | | | 38 | |
| 40 | | | | | | | | | | | | | | | | | | | | 40 | |
| 42 | | | | | | | | | | | | | | | | | | | | 42 | |
| 44 | | | | | | | | | | | | | | | | | | | | 44 | |
| 46 | | | | | | | | | | | | | | | | | | | | 46 | |

Afmetingen Liebherr 70-ton



Maten

| | A | A | B | C | D | E | F | G | a | a1 | β | β_1 |
|------------|------|---------|------|------|------|------|-----|-----|-----|-----|---------|-----------|
| | | 100 mm* | | | | | | | | | | |
| 14.00 R 25 | 3770 | 3670 | 2153 | 2550 | 2650 | 3468 | 340 | 410 | 20° | 14° | 18° | 14° |
| 16.00 R 25 | 3820 | 3720 | 2231 | 2680 | 2700 | 3518 | 390 | 460 | 22° | 17° | 20° | 16° |